

# Spring Cable Reels

## SR



**CONDUCTIX**  
wampfler

© DELACHAUX GROUP



# Contents

<b>General Information</b>	<b>5</b>
Application Area.....	5
Spring Cable Reels SR.....	5
Applicable Standards.....	5
<b>Spring Reel Design</b>	<b>6</b>
Modular Design.....	6
Cable Drums .....	7
Safety Springs.....	7
Spring Motors .....	8
Slip Ring Assemblies .....	9
Mounting Flanges .....	10
Cables .....	10
Options .....	10
Accessories.....	10
<b>Reeling Applications Informations</b>	<b>11</b>
Types of Application.....	11
Winding Direction.....	12
Orientation.....	12
Pre-tension Set-up.....	12
Deflection Pulley Arrangement.....	12
<b>SR10   Dimensional Details</b>	<b>13</b>
<b>SR20   Dimensional Details</b>	<b>14</b>
<b>SR30   Dimensional Details</b>	<b>15</b>
<b>SR40   Dimensional Details</b>	<b>16</b>
<b>SR50   Dimensional Details</b>	<b>17</b>
<b>SR60   Dimensional Details</b>	<b>18</b>
<b>Adapter Flanges</b>	<b>19</b>
<b>Accessories</b>	<b>20</b>
Cable Grips and Spring Impact Absorbers.....	20
Deflection Pulleys.....	20
Roller Guides.....	20
<b>Questionnaire</b>	<b>21</b>



# General Information

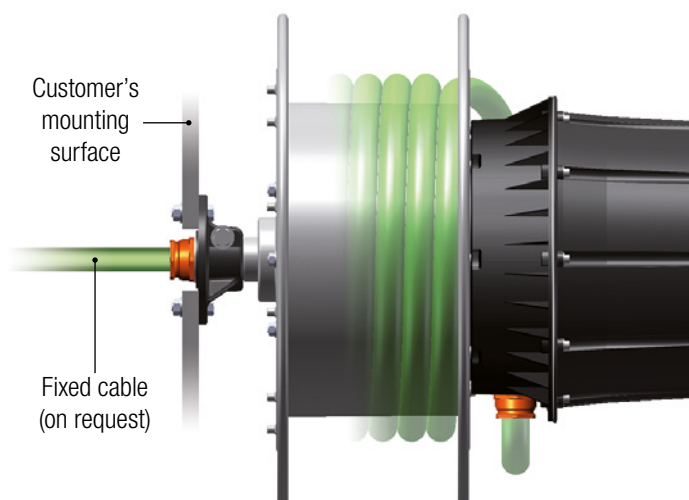
---

## Application Area

---

Spring cable reels SR are used for the automatic storage of power and control cables for a wide range of mobile industrial equipment: overhead cranes, mobile tables, telescopic booms and ladders, grapples, elevators, lifts and so on.

Most of these machines move in a straight line, horizontally or vertically, and are generally guided by rails.



---

## Spring Cable Reels SR

---

A wide range of reels with versatile accessories for many varied applications:

- Indoor and outdoor use, in a neutral industrial environment <sup>1)</sup>.
- Ambient temperature from -20 up to +60°C (de-rating of the slip rings above +30°C).
- Cable outer diameter up to 42 mm.
- Travel speeds up to 60 m/min and accelerations up to 0.3 m/s<sup>2</sup> according to the type of application <sup>1)</sup>.

*1) Consult us for other conditions.*

### Features

- Protection degree IP65.
- High degree of corrosion protection.
- Simple and easy installation and set-up.
- Long service life, easy and reduced maintenance.
- Secure spring replacement with patented spring cassette system (SR40 up to SR60).
- Wide range of cables specifically designed for reeling applications.

- Complete range of accessories and options: reel brackets, cable guides and cable anchoring devices.
- On request, spring cable reels can be supplied with cable pre-wired to slip ring.
- Slip rings dedicated to communication and data transmission up to 1 Gbps (consult us).

---

## Applicable Standards

---

Spring cable reels SR are designed and built in accordance with:

- Machinery directive 2006/42/CE
- Low voltage directive 2006/95/CE

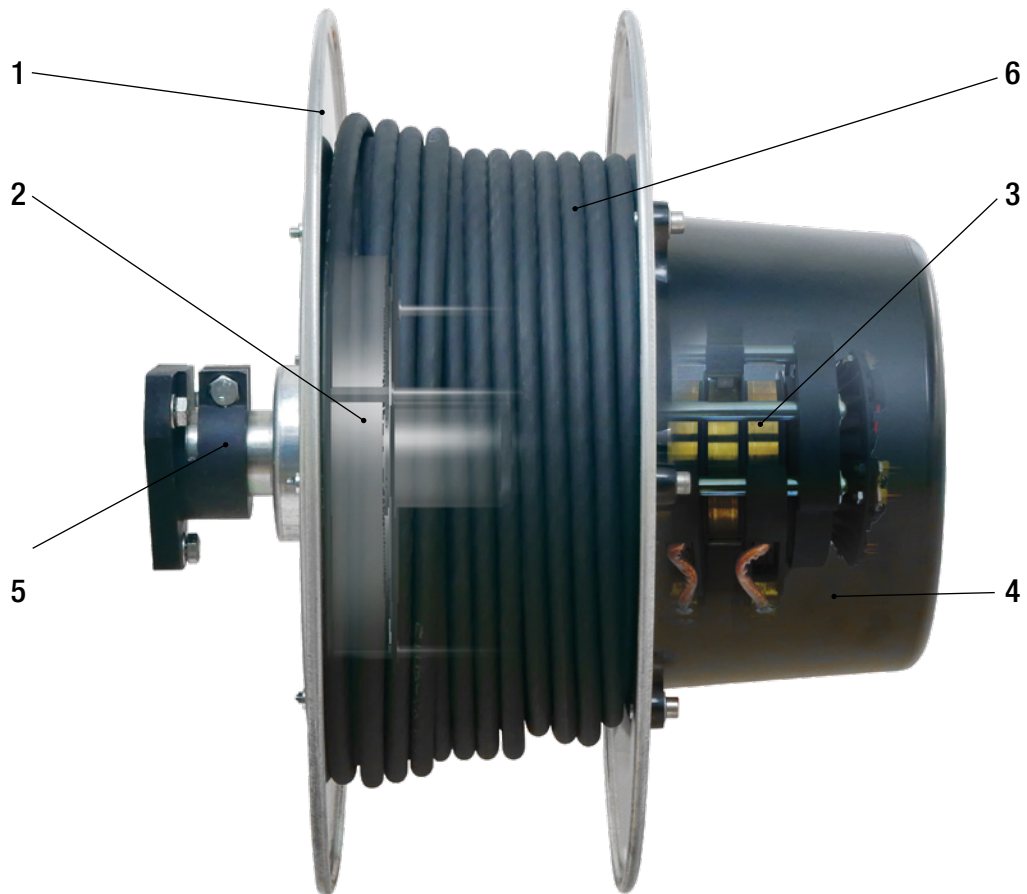
Spring cable reels SR are intended to be integrated into the design of a machine. A declaration of incorporation is attached to the installation instruction manual supplied with the reel.

# Spring Reel Design

## Modular Design

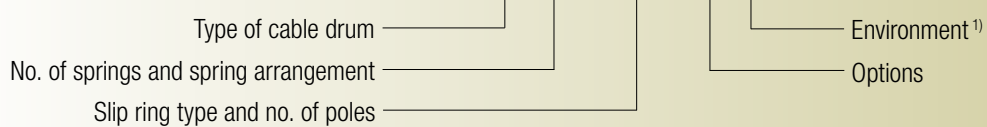
Cable spring reels SR consists of the following components:

- 1 - Cable drum
- 2 - Spring motor
- 3 - Slip rings
- 4 - Slip ring housing
- 5 - Mounting flange
- 6 - Cable



### Model designation

**SR40 2SA 4GD090 BR E0**



<sup>1)</sup> E0 : neutral industrial environment

E1 : low temperature

E3 : severe environment

# Spring Reel Design

## Cable Drums

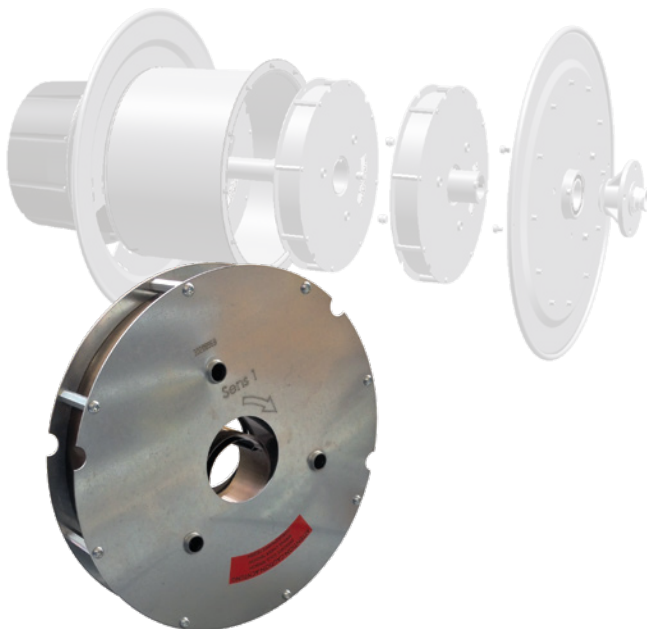
- SR10 | SR20 | SR30: PA6-GF drum body, galvanized steel flanges.
- SR40 | SR50 | SR60: drum body and flanges made of zinc plated steel.
- Winding diameter ranging from 170 to 500 mm.
- Design of the flange edge optimizes cable arrangement during winding and ensures safety for the user.
- Lubricated for life, sealed ball bearings.



## Safety Springs

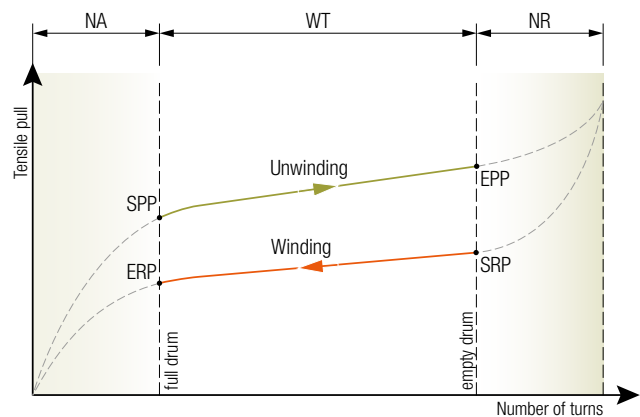
### Technical details

- The spring motor is located inside the cable drum:
  - SR10 | SR20 | SR30: spring drum assembly
  - SR40 | SR50 | SR60: spring individually encapsulated in a cassette for a safe and easy manipulation (replacement or reversal of winding direction).
- Springs made of high-performance textured steel to ensure a long service life: **100 000 spring moves**
- Arrangement of the springs in series or parallel within the cable drum.
- Springs lubricated with a corrosion resistant grease.



### Spring diagram

With coil springs, the tensile pull on the cable varies depending on the length of unwound cable and whether the reel is in the winding or unwinding mode.



- NA: number of pre-turns (pre-load of the springs)
- WT: number of working turns
- NR: number of reserve turns
- SPP: tensile pull at start of payout (unwinding mode)
- EPP: tensile pull at end of payout (unwinding mode)
- SRP: tensile pull at start of retraction (winding mode)
- ERP: tensile pull at end of retraction (winding mode)

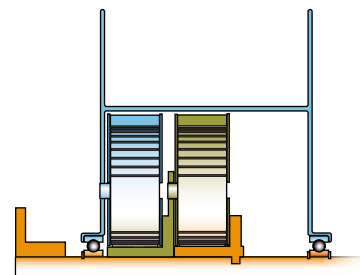
When calculating tensile pull, it is necessary to consider the diameter and the number of cable turns. According to these parameters, the amount of tensile pull exerted by the spring motor will vary.

# Spring Reel Design

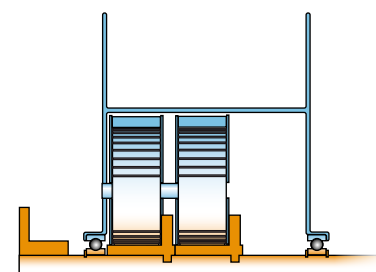
## Spring Motors

Drum type	Spring motor type	No. of springs	Arrangement	No. of pre-turns 'NA'	No. of working turns	Tensile pull [kg]	
						Min.	Max.
SR10	1SA	1	-	2	15	2.6	5.8
	2PA	2	Parallel	2	15	5.1	11.1
	2SA	2	Series	4	30	2.4	5.5
	1SL	1	-	2	25	1.3	3.7
SR20	1SA	1	-	2	20	2.1	4.6
	2SA	2	Series	4	40	2.1	4.6
	2PA	2	Parallel	2	20	3.9	8.8
	1SR	1	-	2	14	3.3	7.6
	2SR	2	Series	4	29	3.1	7.6
	2PR	2	Parallel	2	14	6.8	16.2
SR30	1SA	1	-	2	20	1.7	7.7
	2SA	2	Series	4	40	1.9	7.6
	3SA	3	Series	6	60	2.5	7.8
	2PA	2	Parallel	2	20	5.5	16.0
	3PA	3	Parallel	2	20	8.0	23.0
	1SR	1	-	2	17	3.5	12.1
	2SR	2	Series	4	34	3.0	11.1
	3SR	3	Series	6	51	4.0	11.2
	2PR	2	Parallel	2	17	7.0	22.2
	3PR	3	Parallel	2	17	10.2	35.3
SR40	1SA	1	-	2	25	3.5	12.2
	2SA	2	Series	4	50	2.0	11.2
	3SA	3	Series	6	75	3.3	11.2
	2PA	2	Parallel	2	25	4.0	24.2
	3PA	3	Parallel	2	25	7.0	37.2
SR50	1SA	1	-	2	24	3.0	15.2
	2SA	2	Series	4	49	2.7	15.2
	3SA	3	Series	6	73	3.2	14.2
	4SA	4	Series	8	98	3.5	14.1
	2PA	2	Parallel	2	24	6.0	29.5
	3PA	3	Parallel	2	24	13.5	46.0
	4PA	4	Parallel	2	24	11.5	60.5
	4SPA	4	Series/Parallel	4	48	7.1	30.1
SR60	1SA	1	-	2	26	3.0	16.0
	2SA	2	Series	4	52	3.1	17.1
	3SA	3	Series	6	78	2.9	16.2
	4SA	4	Series	8	104	3.5	17.1
	2PA	2	Parallel	2	26	4.5	32.5
	3PA	3	Parallel	2	25	11.2	49.5
	4PA	4	Parallel	2	25	12.0	71.0
	4SPA	4	Series/Parallel	4	52	6.2	34.2

## Spring motor arrangements



- A motor with two identical springs in series allows twice the number of working turns.



- A motor with two identical springs in parallel generates twice the tensile pull.

## Deflection devices

When a deflecting device is used (roller box, deflection pulley, cable guide), it is necessary to increase the value of the required spring motor torque.

## Maximum permissible cable tension

In accordance with VDE 0298 (Part 3) a continuous tension of 15 N/mm<sup>2</sup> on the cable is permissible for moving equipment based upon the total copper cross-section of the cable.

Depending on the type of cable this value could be higher. Supplier should be consulted.

Cable screens, concentric conductors, divided conductors, additional control cores and/or supervising cores must be taken into consideration.



# Spring Reel Design

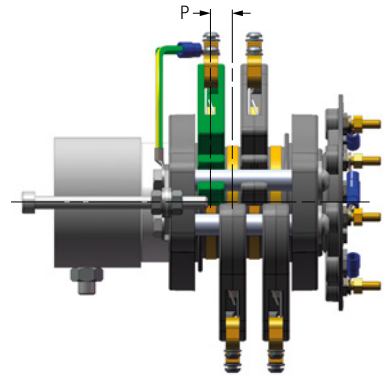
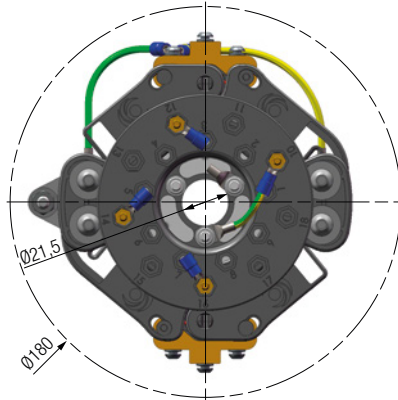
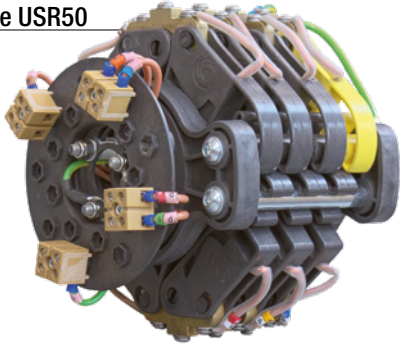
## Slip Ring Assemblies

- Optimal accessibility of connection terminals.
- Ambient operating temperature from -20 up to +60°C (de-rating beyond +30°C).

- ABS-PC, impact-resistant slip ring cover equipped with captive screws and with a breather to prevent condensation (steel housing optional).

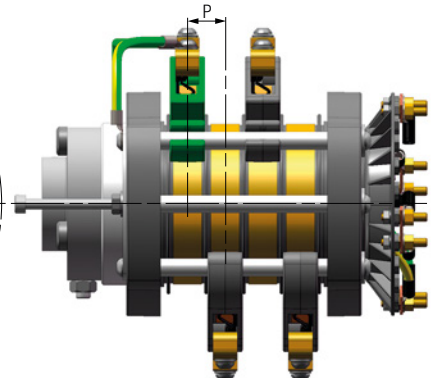
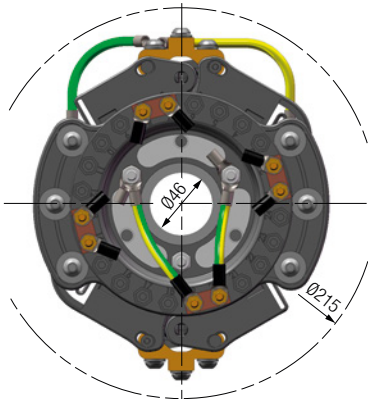
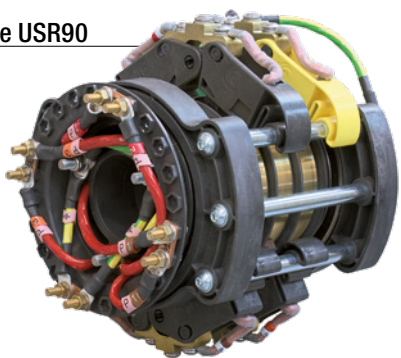
- Combinations of different types of rings of the same diameter are possible.
- Slip rings dedicated to Ethernet data transmission up to 1 Gbps on request.

### Type USR50



Type	Amp <sup>1)</sup> Nom. [A]	Operating voltage <sup>2)</sup>		Rotation speed Max. [rpm]	Diameter [mm]	Rings	
		Max. [V]				Pitch 'P' [mm]	Material
U050	4-20 mA	690 AC / 600 DC		140	52	9	silver-plated brass
W050	<12 Mbps						gold-plated brass
A050	11					brass	
B050	25						
D050	50						
E050	92						

### Type USR90



Type	Amp <sup>1)</sup> Nom. [A]	Operating voltage <sup>2)</sup>		Rotation speed Max. [rpm]	Diameter [mm]	Rings	
		Max. [V]				Pitch 'P' [mm]	Material
U090	4-20 mA	690 AC / 600 DC		80	90	9	silver-plated brass
W090	<12 Mbps						gold-plated brass
A090	13					brass	
B090	23						
D090	50						
E090	85						
F090	130						

<sup>1)</sup> Slip rings in motion (rotation), @ +30°C and duty cycle 100%.

<sup>2)</sup> Altitude < 2000 m

# Spring Reel Design

## Mounting Flanges

Spring reels are supplied equipped with a mounting flange designed for an easy, quick and safe installation. Mounting flanges are also designed to accommodate all optional brackets.

### Adapter flanges (option)

Adapter flanges are supplied separately. They are designed for the installation of the spring reel SR in place of a spring reel from a different range without modification of the existing support.



## Cables

Conductix-wampfler offers a wide range of cables specifically designed for reeling applications:

- Small outer diameter
- Small bending radius
- High resistance to mechanical stress (tension, deflection, twisting)

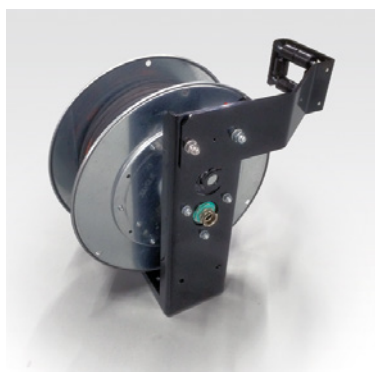
Cable type	Outer sheath	Voltage U <sub>0</sub> /U	Max. tension force [N/mm <sup>2</sup> ]	Ambient temperature [°C]	Service
C800	PVC	0.6/1 kV	15	-10 up to +60°C	normal
GPM   GPM-RF	PUR		12   20	-25 up to +60°C	normal/intensive
RG (NSHTOEU-J)	Rubber		20	-25 up to +80°C	normal
RXP (12YHRDT11YH)	PUR		25	-40 up to +80°C	intensive
RXG (NSHTOEU-J)	Rubber		30	-35 up to +80°C	severe
TRA   TRA-RF	PUR		25   30	-25 up to +60°C	intensive/severe

Standard reeling cables are available from stock and can be supplied immediately.

On request, spring reels can be supplied with a fixed cable tail connected to the slip rings in the factory.

## Options

- **SE, BR or SP:** brackets, roller guide arms and swivel brackets.
- **AB:** adapter flanges (see 'Mounting Flange')
- **CM:** steel slip ring housings (and steel connecting boxes, according to model).
- **E1:** Adaptation for use at low temperatures (from -40°C up to +40°C) including suitable lubrication of the springs and bearings, and a heating strip in the slip ring housing



## Overall cable length

- Overall cable length = working cable length (travel length) +  $\Delta L$
- $\Delta L$  = one safety turn on the drum (never unwound) + cable length required for slip ring connection.

Drum type	$\Delta L$ [m]
SR10	2
SR20	2
SR30	3
SR40	4
SR50	4
SR60	5

## Accessories

- Cable grips and spring impact absorbers
- Deflection pulleys and roller boxes

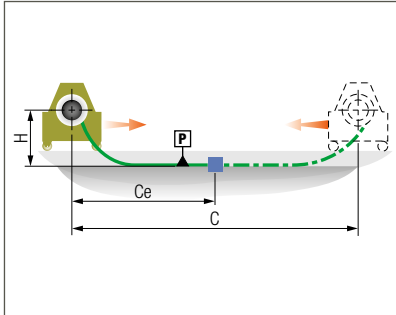
Consult us for:

- Cable guides, anchor drums and cable entries
- Two and four contacts end limit switches
- Heating strip inside the slip ring housing required in humid conditions and/or where ambient temperatures vary widely

# Reeling Applications Informations

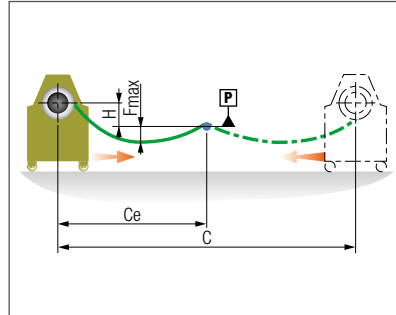
## Types of Application

### 1 - Retrieve



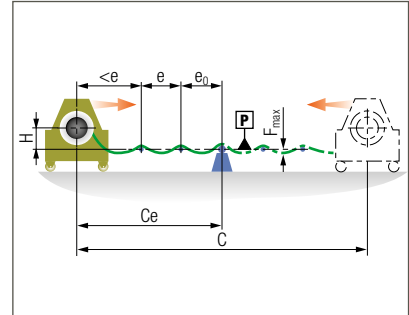
- Reel mounted on the machine
- Cable laying on the ground

### 2 - Stretch



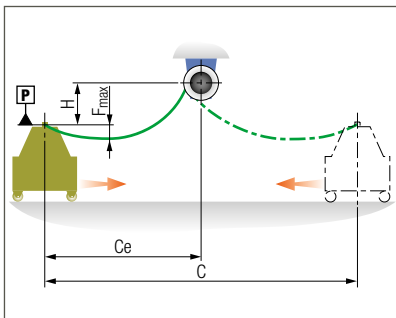
- Reel mounted on the machine
- Cable not supported
- For short runs only
- Cable sag ' $F_{max}$ ' less than 10% of 'Ce'
- Extra length of cable required (approx. 10% of 'Ce') to compensate for cable sag ' $F_{max}$ '

### 3 - Supported stretch



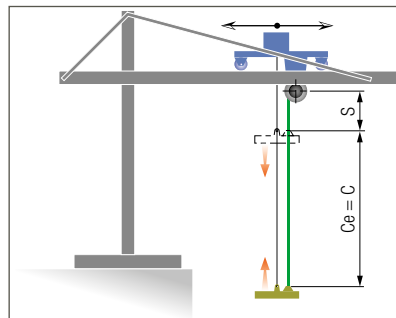
- Reel mounted on the machine
- Cable supported (e.g. by rollers)
- Extra length of cable required (approx. 10% of 'Ce') to compensate for cable sag ' $F_{max}$ '

### 4 - Stretch



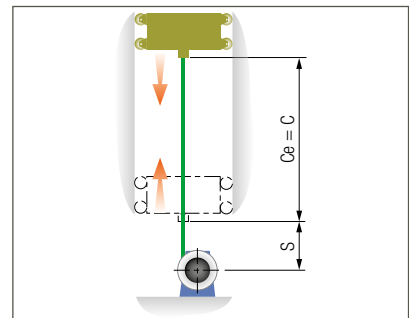
- Reel mounted stationary
- Cable not supported
- For short runs only
- Cable sag ' $F_{max}$ ' less than 10% of 'Ce'
- Extra length of cable required (approx. 10% of 'Ce') to compensate for cable sag ' $F_{max}$ '

### 5 - Lift



- Reel mounted stationary
- Reel located at the top

### 6 - Vertical retrieve



- Reel mounted stationary
- Reel located at the bottom

**P**: position that cable lays on the ground

**C**: active travel length

**Ce**: travel length to be considered to calculate the reel

**H**: height of reel axis above P

$F_{max}$ : max. allowable cable sag

$e_0$ : distance of the first support

**e**: distance between two adjacent supports

**S**: length of permanently paid out cable

# Reeling Applications Informations

## Winding Direction



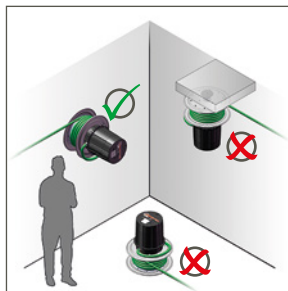
Unless otherwise specified when ordering, SR reels are built according to the **Winding Direction 1** (viewed from the slip ring side) and the roller guide arm is oriented as per Pos. 1.1 (options 'BR' / 'SP').



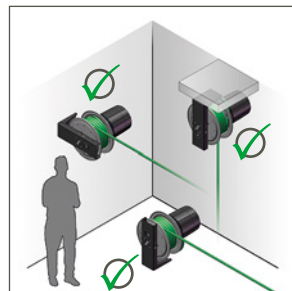
## Orientation

The rotation axis of the spring cable reel must be horizontal. The rotation axis of the optional swivel bracket 'SP' must be vertical.

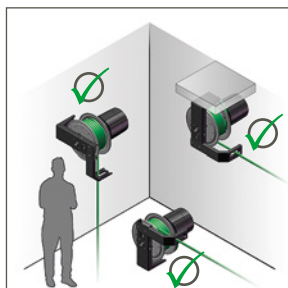
### Reel with mounting flange



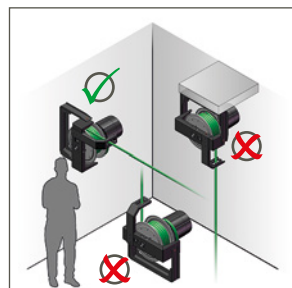
### Reel with option 'SE'



### Reel with option 'BR'



### Reel with option 'SP'



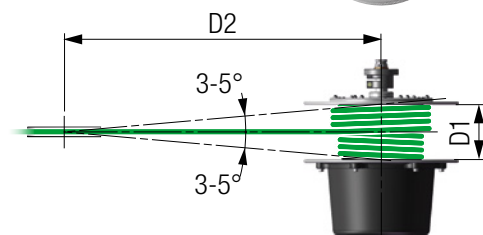
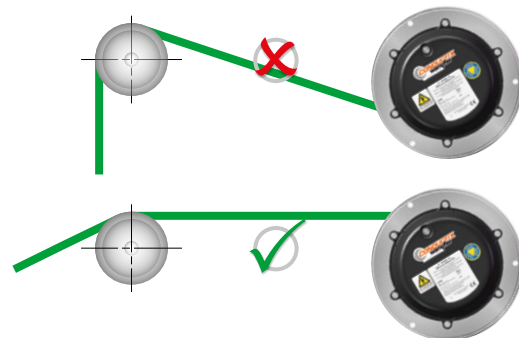
## Pre-tension Set-up



The spring reels not equipped with a roller guide arm are delivered without pre-tension set-up. In this case, prior to use, the spring motor must be pre-tensioned with the appropriate number of turns 'NA' and direction as indicated on the drum flange.

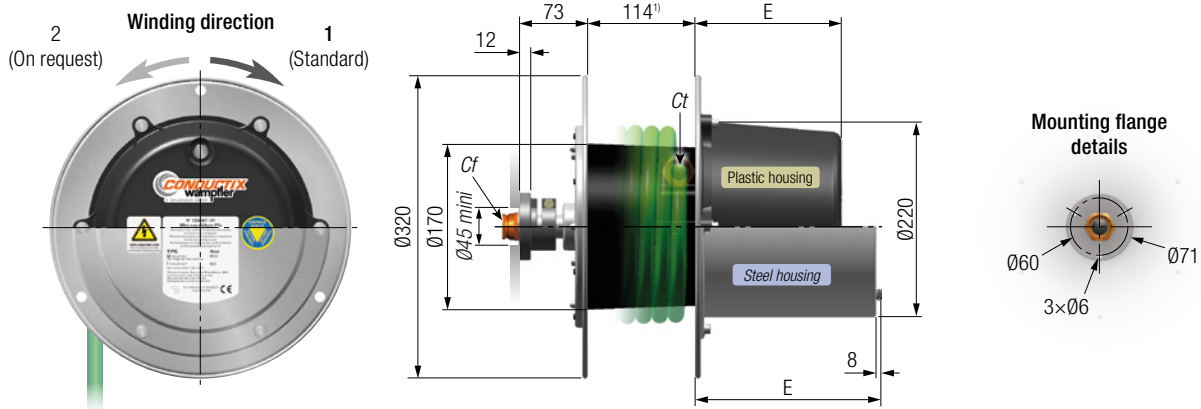
## Deflection Pulley Arrangement

Recommendations for proper roller guide or sheave roller location.



D1 [mm]	D2 [mm]	
	3°	5°
115	1100	650
130	1240	750
180	1700	1050
200	1900	1150
250	2400	1450
260	2500	1500

# SR10 | Dimensional Details



Max. number of poles of the same slip ring type according to 'E' (one pole PE included)

Slip ring		E [mm]				
		Plastic slip ring housing			Steel slip ring housing	
Type	I [A]	138	168	218	227	333
U050 / W050	mA	5	7	13	13	22
A050	11	5	7	13	13	22
B050	25	5	7	12	12	20
D050	50	2	5	8	8	8
E050	92	2	3	4	4	4

Ct min./max.: 08/017 mm

Cf min./max.: 08/017 mm

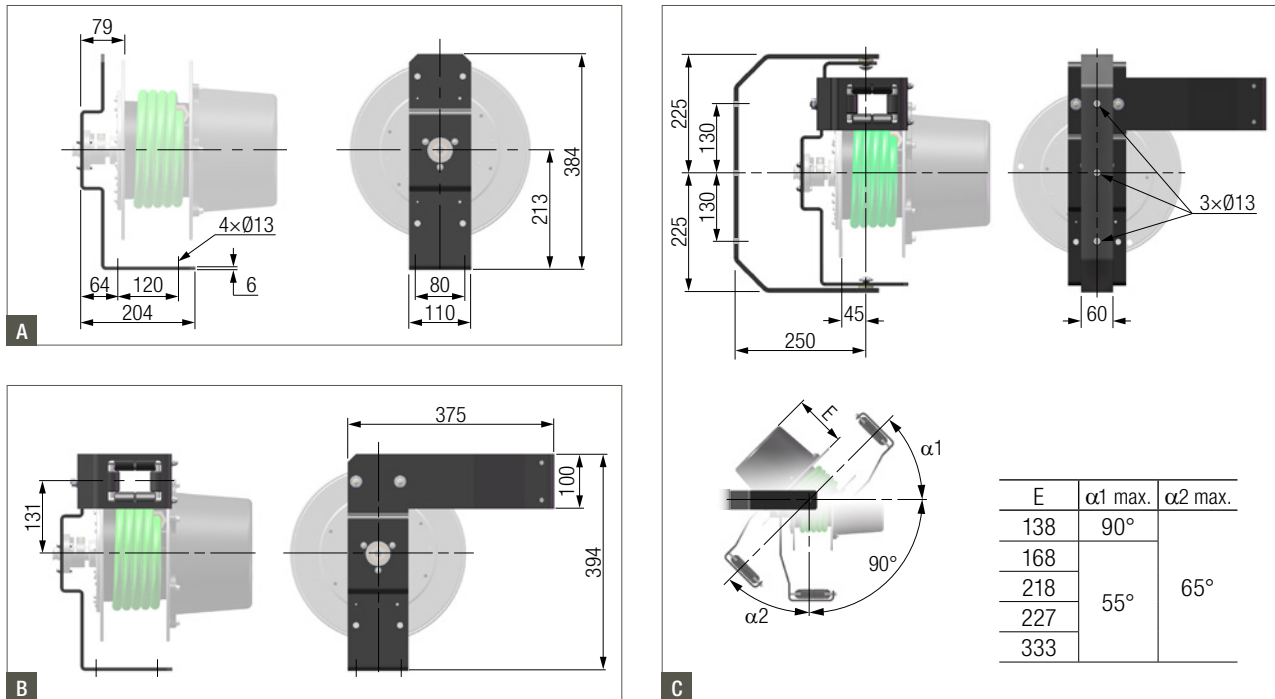
Winding diameter: 0270 mm max.

Weight approx.<sup>2)</sup>: 6.5 up to 8.5 kg

<sup>1)</sup> Useful width = 120 mm

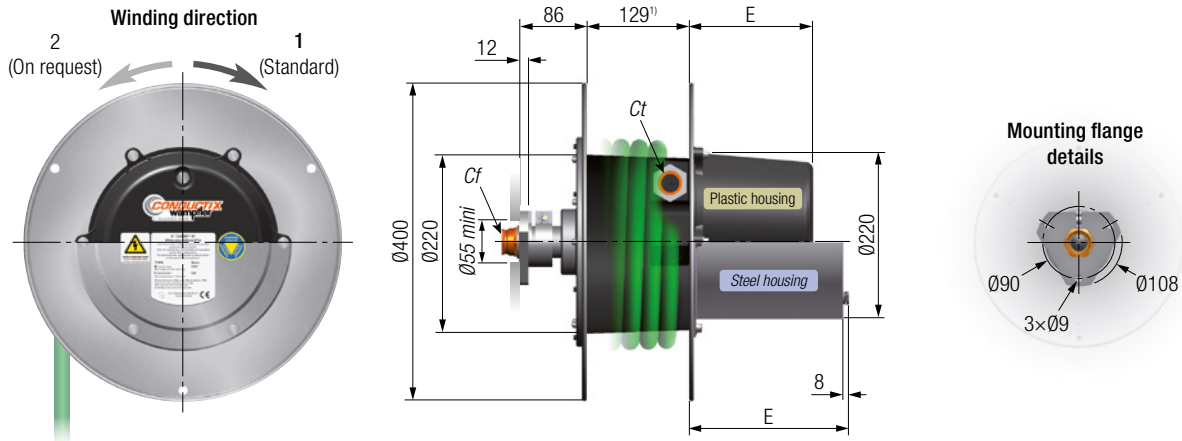
<sup>2)</sup> Cable excluded and according to slip ring type

## Options



Model	Dimensions as	Weight [kg]
Bracket 'SE' for SR10	fig. A	3.0
Bracket and roller guide arm 'BR' for SR10	fig. A+B	5.5
Swivel bracket 'SP' for SR10	fig. A+B+C	10.0
Adapter flange	See p.19	

# SR20 | Dimensional Details



Max. number of poles of the same slip ring type according to 'E' (one pole PE included)

Slip ring	I [A]	E [mm]				
		Plastic slip ring housing			Steel slip ring housing	
Type		138	168	218	227	333
U050 / W050	mA	5	7	13	13	22
A050	11	5	7	13	13	22
B050	25	5	7	12	12	20
D050	50	3	5	8	8	8
E050	92	2	3	4	4	4

Ct min./max.: 08/022 mm

Cf min./max.: 08/022 mm

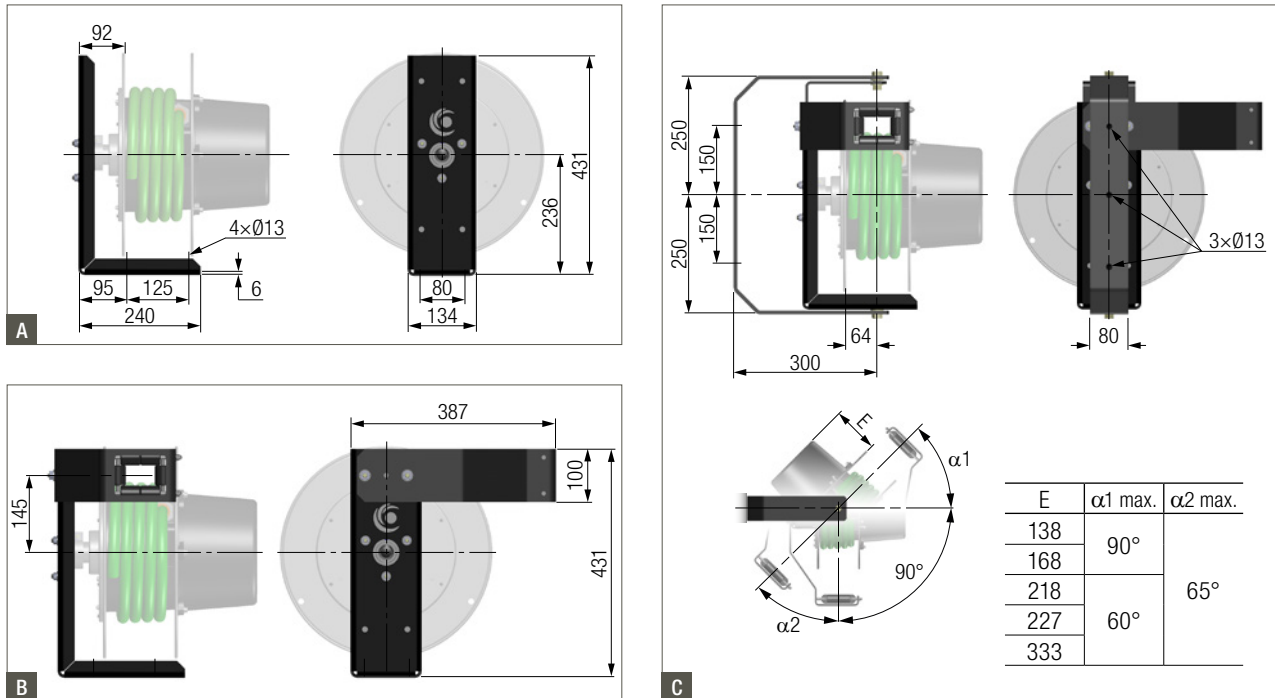
Winding diameter: 0340 mm max.

Weight approx.<sup>2)</sup>: 8.5 up to 13 kg

<sup>1)</sup> Useful width = 135 mm

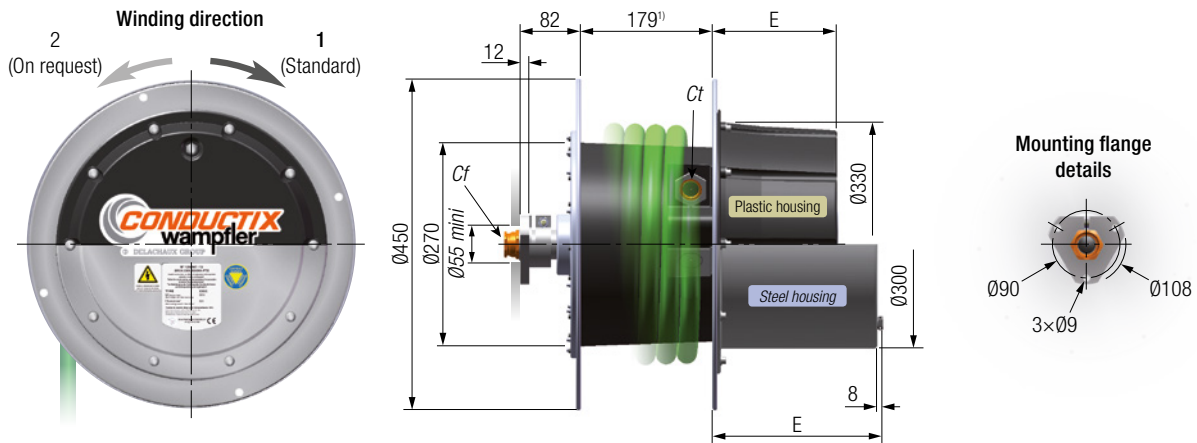
<sup>2)</sup> Cable excluded and according to slip ring type

## Options



Model	Dimensions as	Weight [kg]
Bracket 'SE' for SR20	fig. A	5.0
Bracket and roller guide arm 'BR' for SR20	fig. A+B	8.0
Swivel bracket 'SP' for SR20	fig. A+B+C	15.0
Adapter flange	See p.19	

# SR30 | Dimensional Details



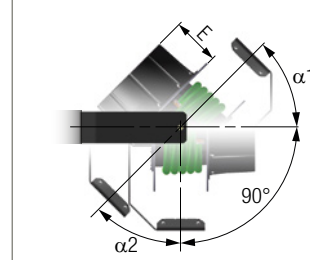
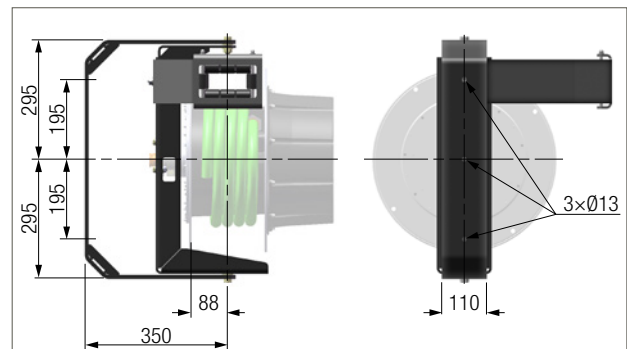
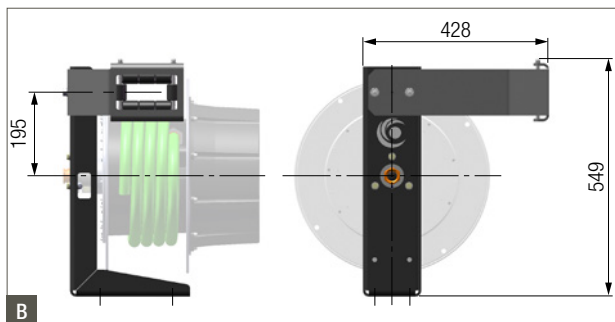
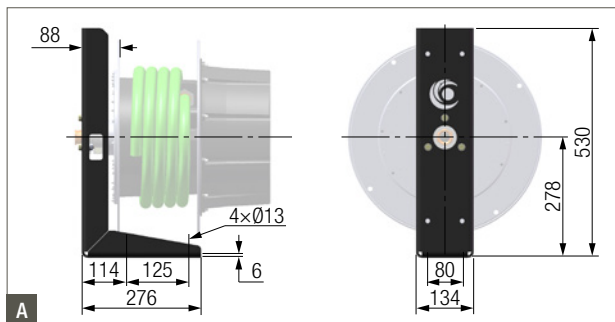
Max. number of poles of the same slip ring type according to 'E' (one pole PE included)

Slip ring		E [mm]					
		Plastic slip ring housing			Steel slip ring housing		
Type	I [A]	168	218	322	230	336	471
U050 / W050	mA	8	13	22	13	22	32
A050	11	8	13	22	13	22	32
B050	25	7	12	20	12	20	22
D050	50	5	8	8	8	8	8
E050	92	3	4	4	4	4	4
U090 / W090	mA	7	12	24	12	24	38
A090	13	7	12	24	12	24	38
B090	23	6	11	21	11	21	34
D090	50	4	7	14	7	14	23
E090	85	3	6	10	5	10	15
F090	130	2	4	8	4	8	8

Ct min./max.: Ø8/Ø28 mm  
 Cf min./max.: Ø8/Ø28 mm  
 Winding diameter: Ø400 mm max.  
 Weight approx.<sup>2)</sup>: 14 up to 23 kg

<sup>1)</sup> Useful width = 185 mm  
<sup>2)</sup> Cable excluded and according to slip ring type

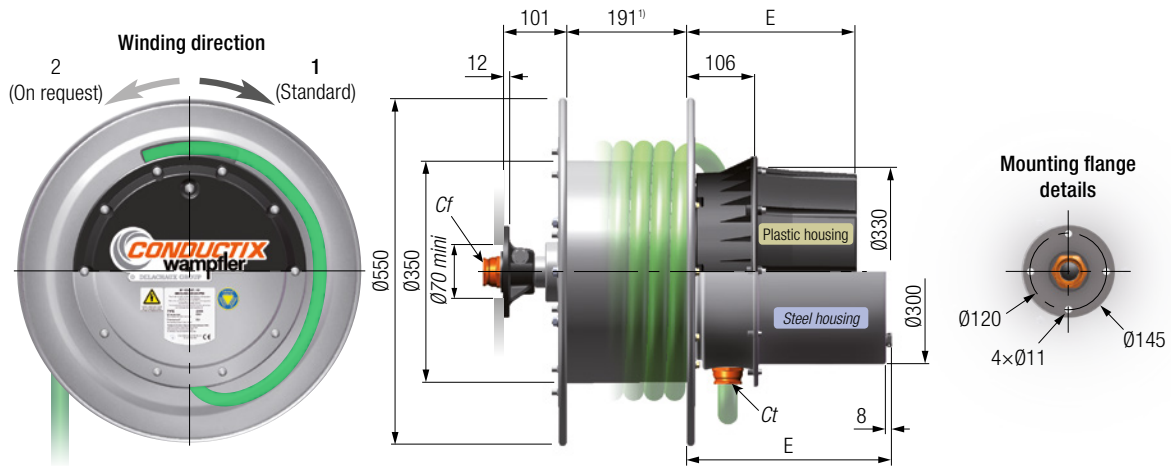
## Options



E	α1 max.	α2 max.
168	90°	55°
218	50°	
230		
322		
336		
471		

Model	Dimensions as	Weight [kg]
Bracket 'SE' for SR30	fig. A	8.0
Bracket and roller guide arm 'BR' for SR30	fig. A+B	11.5
Swivel bracket 'SP' for SR30	fig. A+B+C	24.5
Adapter flange	See p.19	

# SR40 | Dimensional Details



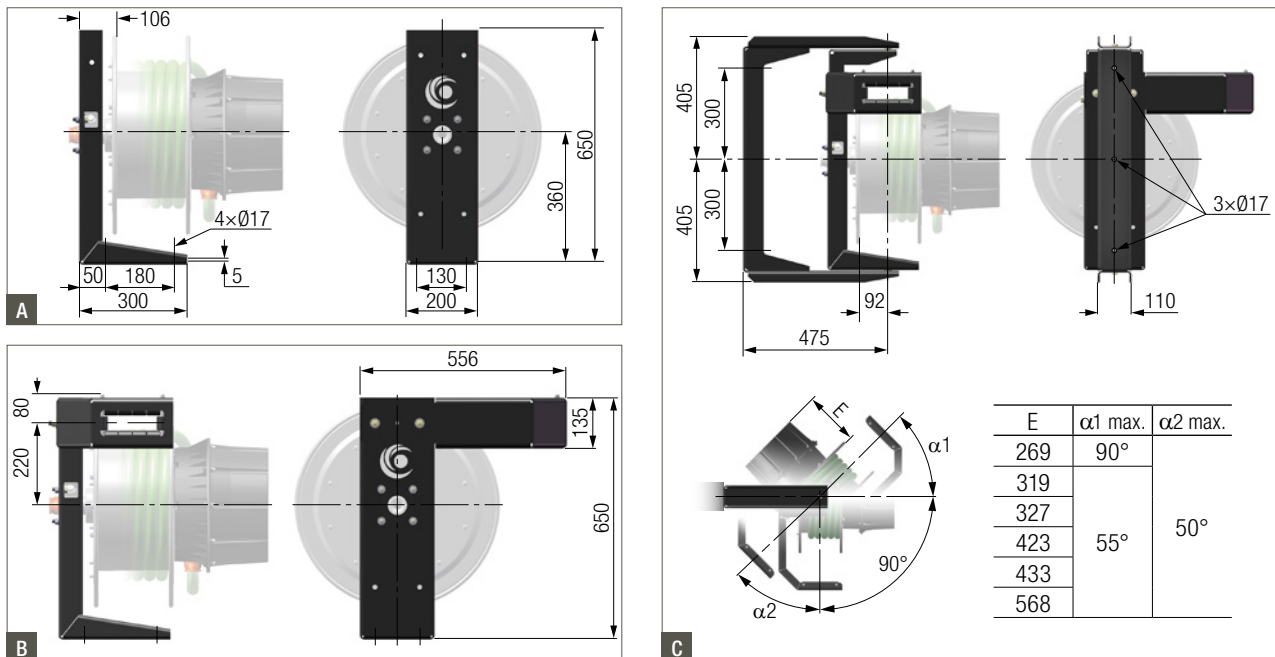
Max. number of poles of the same slip ring type according to 'E' (one pole PE included)

Slip ring	I [A]	E [mm]					
		Plastic slip ring housing			Steel slip ring housing		
Type		269	319	423	327	433	568
U050 / W050	mA	10	15	24	15	24	32
A050	11	10	15	24	15	24	32
B050	25	9	14	22	14	22	22
D050	50	6	8	8	8	8	8
E050	92	4	4	4	4	4	4
U090 / W090	mA	9	14	24	14	26	40
A090	13	9	14	24	14	26	40
B090	23	8	13	23	13	24	36
D090	50	5	8	15	8	16	24
E090	85	4	6	10	6	11	15
F090	130	3	4	8	4	8	8

Ct min./max.: Ø8/Ø36 mm  
 Cf min./max.: Ø8/Ø32 mm  
 Winding diameter: Ø477 mm max.  
 Weight approx.<sup>2)</sup>: 35 up to 65 kg

<sup>1)</sup> Useful width = 196 mm  
<sup>2)</sup> Cable excluded and according to slip ring type

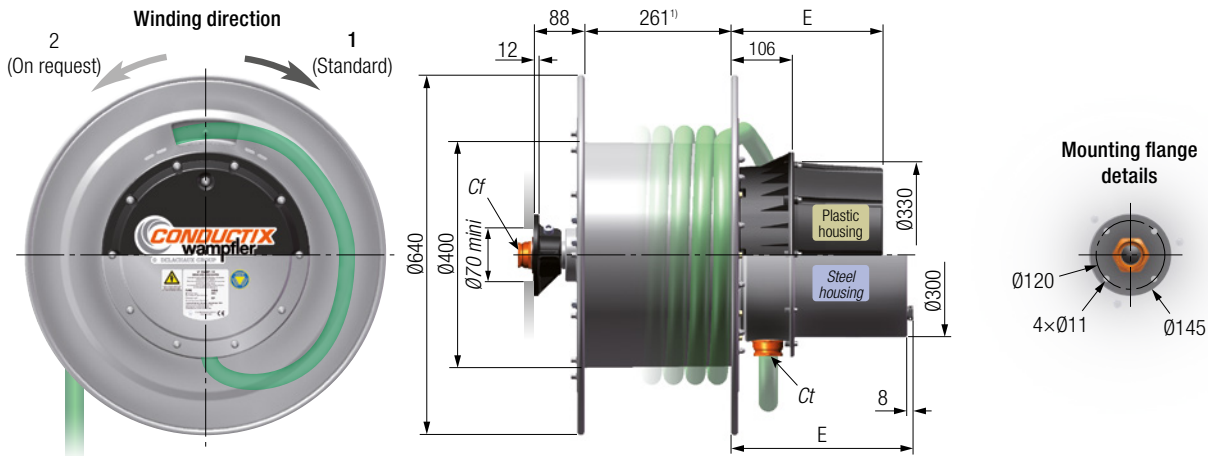
## Options



Model	Dimensions as	Weight [kg]
Bracket 'SE' for SR40	fig. A	11.0
Bracket and roller guide arm 'BR' for SR40	fig. A+B	18.0
Swivel bracket 'SP' for SR40	fig. A+B+C	38.5
Adapter flange	See p.19	



# SR50 | Dimensional Details



Max. number of poles of the same slip ring type according to 'E' (one pole PE included)

Slip ring		E [mm]					
		Plastic slip ring housing			Steel slip ring housing		
Type	I [A]	269	319	423	327	433	568
U050 / W050	mA	10	15	24	15	24	32
A050	11	10	15	24	15	24	32
B050	25	9	14	22	14	22	22
D050	50	6	8	8	8	8	8
E050	92	4	4	4	4	4	4
U090 / W090	mA	9	14	26	14	26	40
A090	13	9	14	26	14	26	40
B090	23	8	13	23	13	24	36
D090	50	5	8	15	8	16	24
E090	85	4	6	10	6	11	15
F090	130	3	4	8	4	8	8

Ct min./max.: Ø8/Ø36 mm

Cf min./max.: Ø8/Ø32 mm

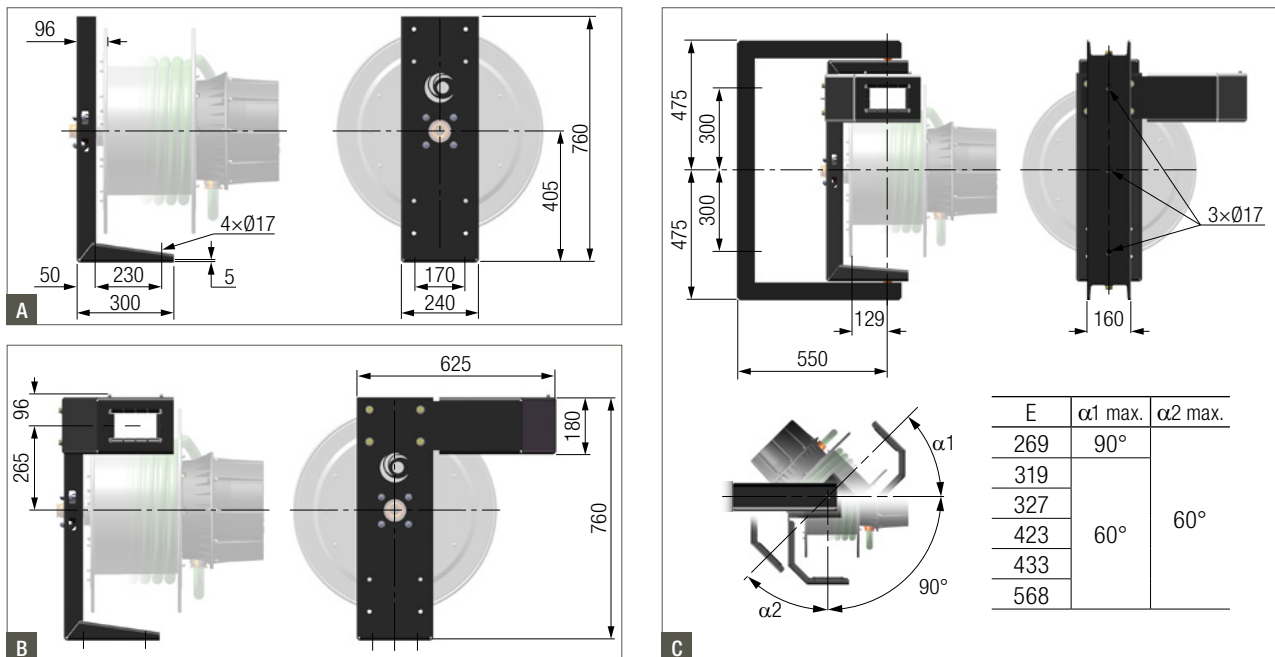
Winding diameter: Ø557 mm max.

Weight approx.<sup>2)</sup>: 42 up to 90 kg

<sup>1)</sup> Useful width = 267 mm

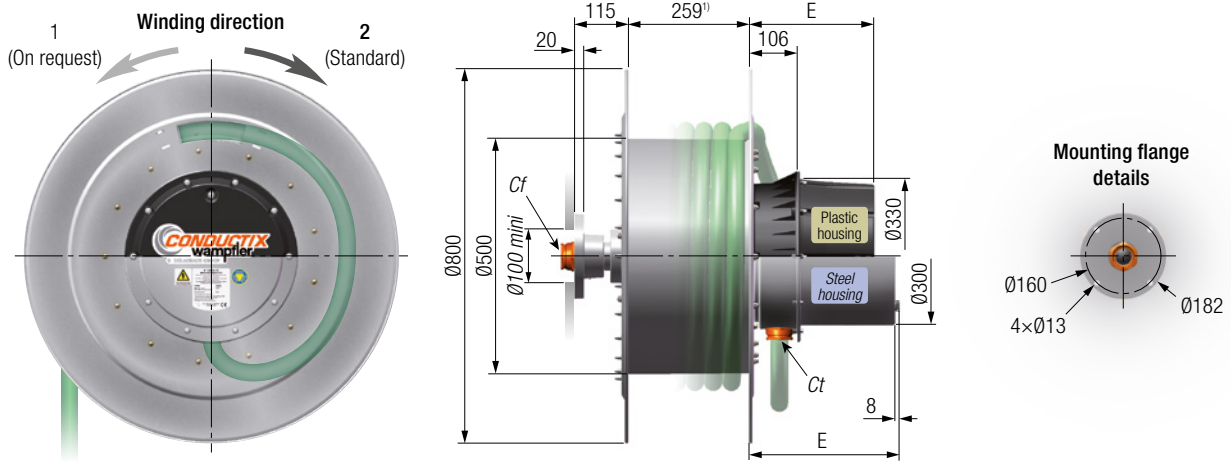
<sup>2)</sup> Cable excluded and according to slip ring type

## Options



Model	Dimensions as	Weight [kg]
Bracket 'SE' for SR50	fig. A	14.5
Bracket and roller guide arm 'BR' for SR50	fig. A+B	23.0
Swivel bracket 'SP' for SR50	fig. A+B+C	72.0
Adapter flange	See p.19	

# SR60 | Dimensional Details



Max. number of poles of the same slip ring type according to 'E' (one pole PE included)

Slip ring	Type	I [A]	E [mm]					
			Plastic slip ring housing			Steel slip ring housing		
			269	319	423	327	433	568
U050 / W050	mA		10	15	24	15	24	32
A050	11		10	15	24	15	24	32
B050	25		9	14	22	14	22	22
D050	50		6	8	8	8	8	8
E050	92		4	4	4	4	4	4
U090 / W090	mA		9	14	26	14	26	40
A090	13		9	14	26	14	26	40
B090	23		8	13	23	13	23	36
D090	50		5	8	15	8	16	24
E090	85		4	6	10	6	11	15
F090	130		3	4	8	4	8	8

Ct min./max.: 08/042 mm

Cf min./max.: 08/038 mm

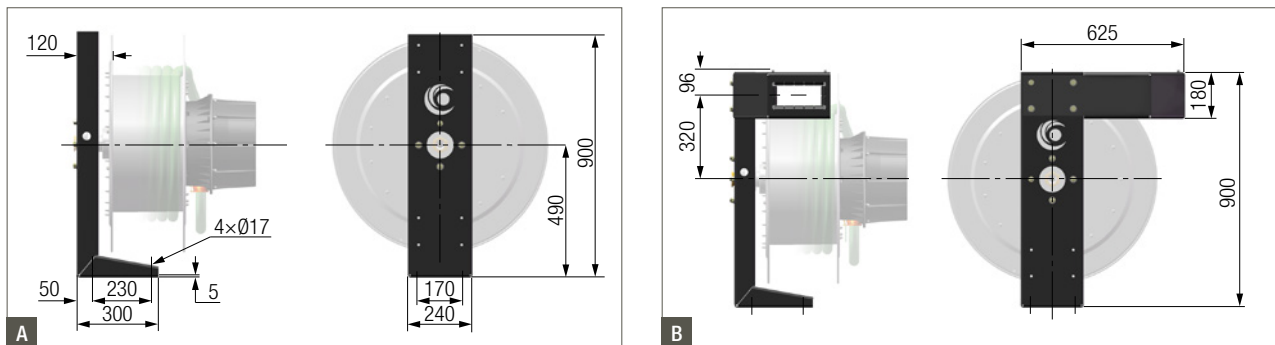
Winding diameter: 0687 mm max.

Weight approx.<sup>2)</sup>: 59 up to 122 kg

<sup>1)</sup> Useful width = 266 mm

<sup>2)</sup> Cable excluded and according to slip ring type

## Options



Model	Dimensions as	Weight [kg]
Bracket 'SE' for SR60	fig. A	18.0
Bracket and roller guide arm 'BR' for SR60	fig. A+B	26.0
Adapter flange	See p.19	

# Adapter Flanges

## Selection of Option 'AB'

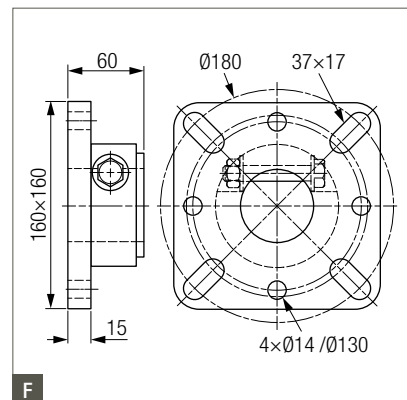
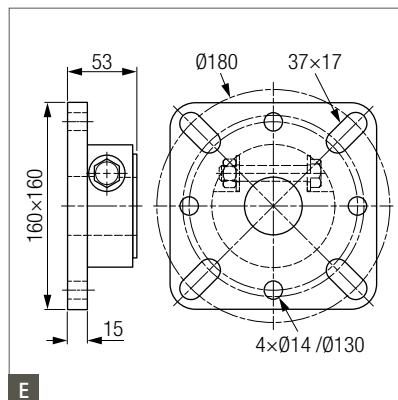
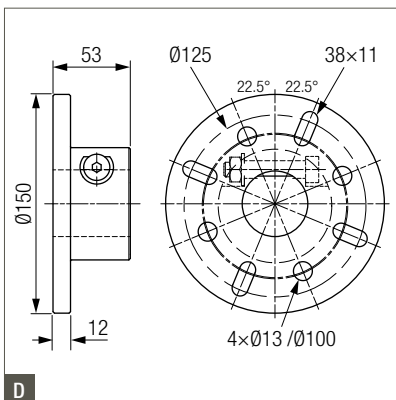
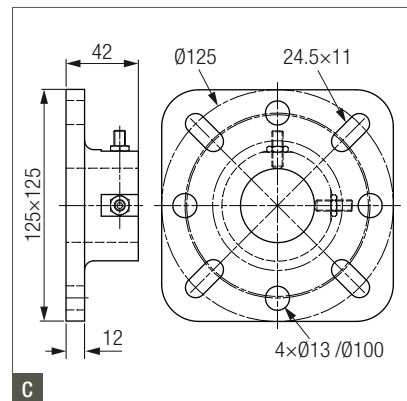
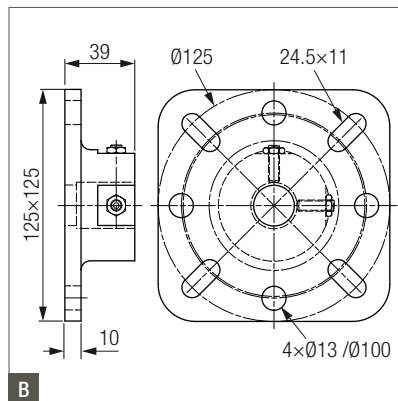
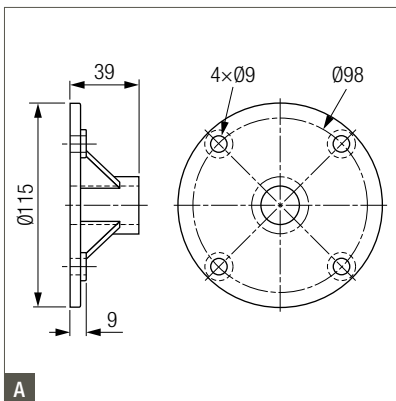
SR model...	... for replacement of a BEF model							Dims as per
	15...	18...	22...	26...	32...	40...	50...	
SR10	AB15							A
		AB18		AB26				B
SR20		AB18	AB22	AB26				C
SR30		AB18	AB22	AB26				C
SR40			AB22	AB26	AB32			D
						AB40		E
SR50						AB40	AB50	E
SR60						AB40	AB50	F

### Example

Select option 'AB26' to replace a former Conductix-Wampfler's spring reel model BEF26 with a spring reel model SR20 without modification of the support.

SR model...	... for replacement of a SIRIO model						Dims as per	
	0	1/A	2	3	4	5/A		6/A
SR10	AB00							B
SR20		AB01	AB02	AB03	AB04			C
SR30		AB01	AB02	AB03	AB04			C
SR50						AB05	AB06	E
SR60						AB05	AB06	F

Adapter flange option is not required for the replacement of a former Conductix-Wampfler's EXEL spring reel with a SR spring reel.



# Accessories

## Cable Grips and Spring Impact Absorbers



### Single-eye cable grip SB | Light duty applications

Model For cable OD	Without lacing		With lacing	
	Type	Order No.	Type	Order No.
5 up to 8 mm	SB5	3057558	-	-
8 up to 13 mm	SB8	3057560	SBLA8	3139643
13 up to 18 mm	SB13	3056836	SBLA13	3139644
18 up to 25 mm	SB18	3057564	SBLA18	3139645
25 up to 38 mm	SB25	3057566	SBLA25	3139646



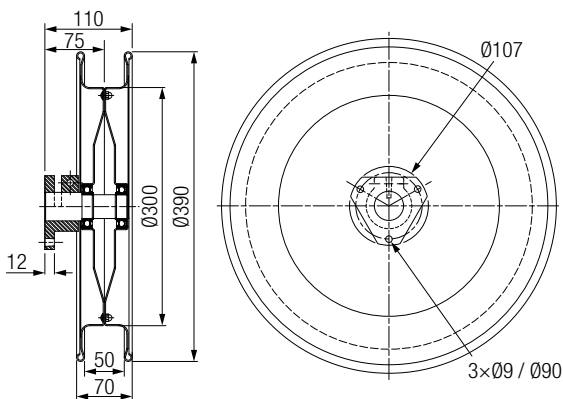
### Double-eye cable grip DB | Lift applications, standard duty

Model For cable OD	Without lacing		With lacing	
	Type	Order No.	Type	Order No.
8 up to 15 mm	DB8	3057556	DBLA8	3139633
15 up to 25 mm	DB15	3057598	DBLA15	3139634
25 up to 45 mm	DB25	3057600	DBLA25	3139635

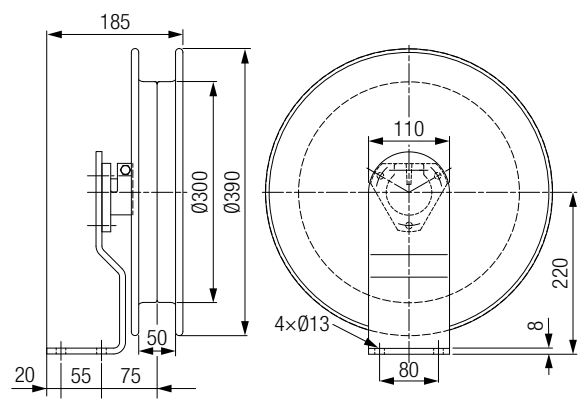
### Spring impact absorber

Model	Cadmium plated steel	Stainless steel
	Order No.	Order No.
20 kg	3057690	3057691
40 kg	3057692	3057693
80 kg	3057175	3140790
150 kg	3057696	3140791

## Deflection Pulleys

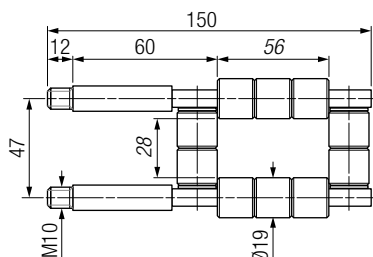


Model	Order No.	Cable OD
Deflection pulley Ø300/390 w/flange	3168550	Ø14 up to Ø25

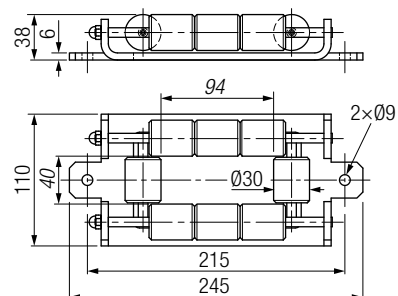


Model	Order No.	Cable OD
Deflection pulley Ø300/390 w/bracket	3056839	Ø14 up to Ø25

## Roller Guides



Model	Order No.	Cable OD
Roller guide (to for SR10 - SR20)	3059248	Ø23 max.



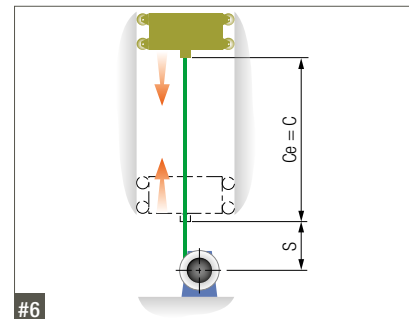
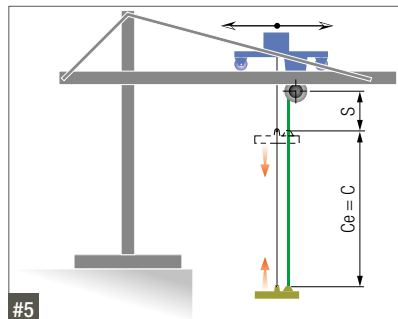
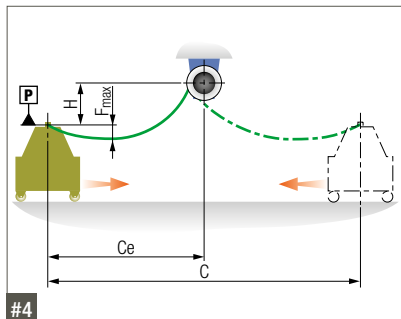
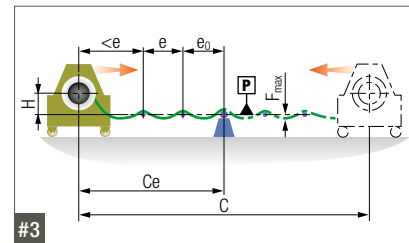
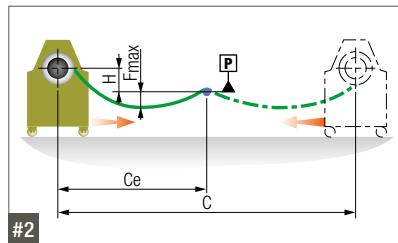
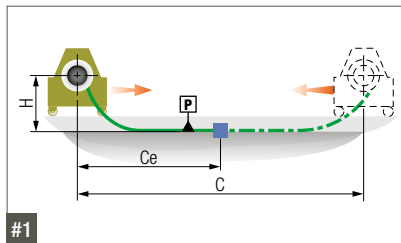
Model	Order No.	Cable OD
Roller guide (to fit SR30)	3139465	Ø28 max.

# Questionnaire

## Operation Conditions

- Type of mobile machine: .....
- Max. travel speed: ..... [m/min]
- Acceleration: ..... [m/s<sup>2</sup>]      or run-up time: ..... [s]
- No. of travels/day: .....
- Operating hours/day: .....
- Ambient temperature: min..... [°C]      max. .... [°C]
- Site:       indoors       outdoors      Max. wind speed: ..... [m/s]
- Environmental conditions:  tropics       salty       explosive       dusty       humidity:..... [%]
- chemical      ( urea       potash       phosphate       other: .....) )
- nuclear
- offshore
- low temperature (below -15°C) Tmin:.....[°C]

## Type of Application



- Application as per fig.      # .....
- 'Ce': winding length: ..... [m]
- 'C': total travel length: ..... [m]
- 'H': mounting height of the reel above 'P': ..... [m]
- 'F<sub>max</sub>': max. allowable cable sag: ..... [m]
- 'e': distance between supports: ..... [m]
- 'e<sub>0</sub>': distance to the first support: ..... [m]
- 'S': length of permanently paid-out cable: ..... [m]

## Electrical Data

- Operating voltage: ..... [V]       AC3 / ..... Hz       AC1 / ..... Hz       DC
- Power: ..... [kW]
- Amperage: ..... [A]
- Duty: ..... [%]

## Cable

- Type: .....
- No. of cores × cross section: .....      PE:  O  N      N:  O  N
- OD min./max.: ..... [mm]      Weight: ..... [kg/m]      Min. bending radius: ..... [mm]
- Max. allowable tensile force: ..... [kg]





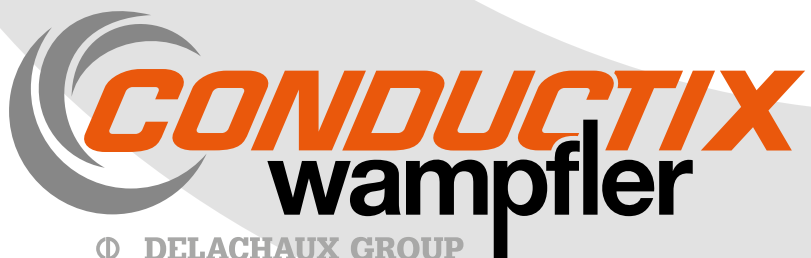
# www.conductix.com

## **Conductix-Wampfler**

has just one critical mission:  
to provide you with energy and  
data transmission systems that  
will keep your operations up and  
running 24/7/365.

To contact your nearest sales  
office, please refer to:

**[www.conductix.com/  
contact-search](http://www.conductix.com/contact-search)**



Ⓛ DELACHAUX GROUP